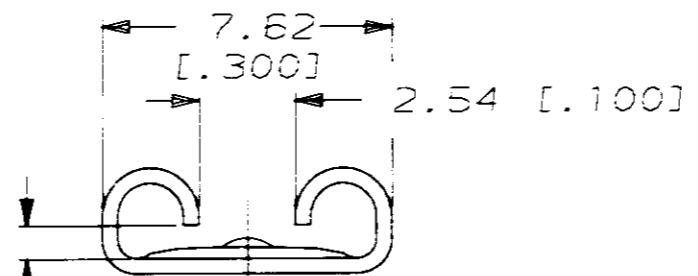
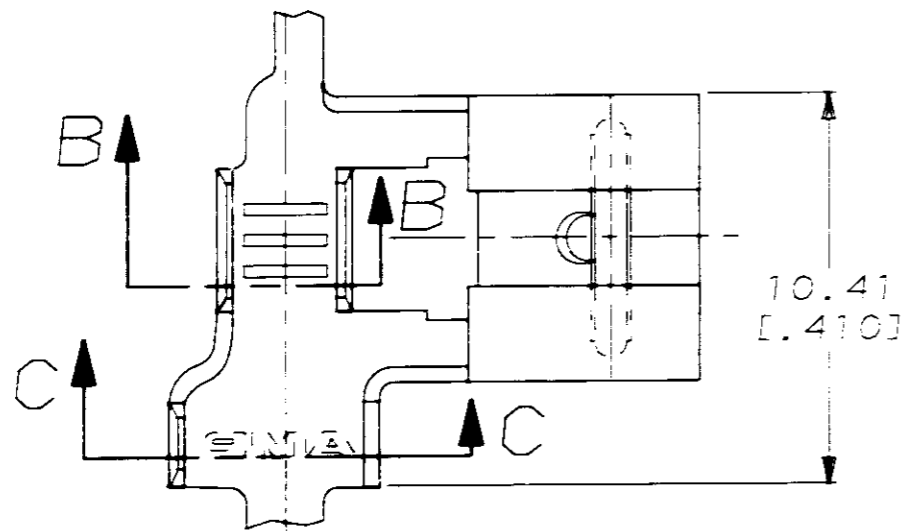


THIS DRAWING IS UNPUBLISHED. RELEASED FOR PUBLICATION
 © COPYRIGHT 19 BY AMP INCORPORATED. ALL INTERNATIONAL RIGHTS RESERVED.

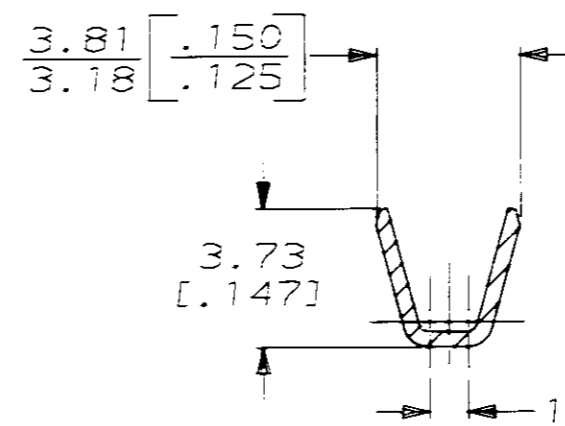
LOC	DIST	REVISIONS			
AF	50	P	F	ZONE	LTR
F REVISED AF-7659					DATE
					10/17/91
					APPD
					JR

1 CONTINUOUS STRIP ON REELS.

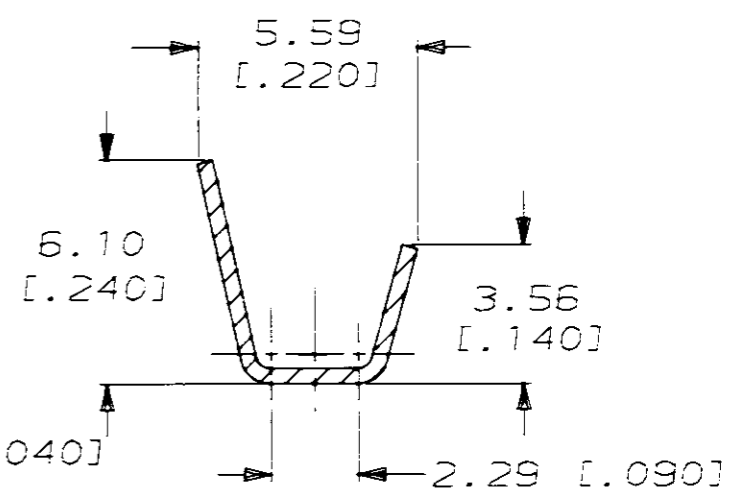


FITS 6.35 [0.250] SERIES FASTON TAB

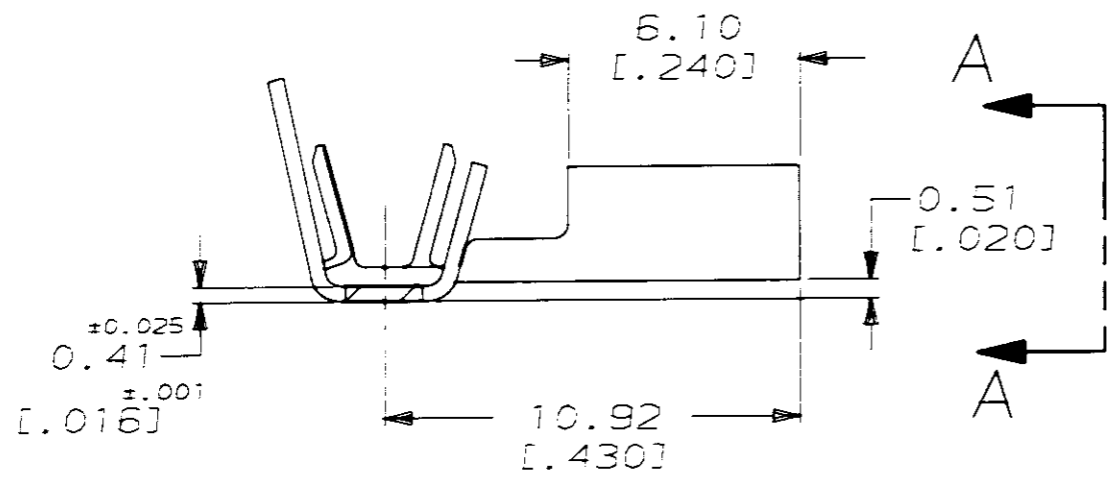
VIEW A-A



SECTION B-B



SECTION C-C



TIN	2.79-4.06	0.8-2.0mm ²	0.81	63010-2
-	[0.110-0.160] DIA	[18-14] AWG	[0.032]	63010-1
FINISH	INSUL RANGE	WIRE SIZE	MATING TAB THK ±0.025 [0.001]	PART NO
DO NOT SCALE PRINT. UNLESS SPECIFIED DIMENSIONS IN mm [INCHES]: TOLERANCES ON: 2 PLC DEC ± - 3 PLC DEC ± 0.38 [0.15] ANGLES ± -	DR 4/9/91 JR RUTH	AMP AMP Incorporated Harrisburg, PA 17105-3608		
MATERIAL 4M BRASS	CHK 4/9/91 MS FEHER	NAME RECEPTACLE, FASTON, FLAG, 6.35 [0.250] SERIES		
FINISH SEE TABLE	APPD 4/9/91 C MEYERS	SIZE B	CAGE CODE 00779	DRAWING NO 63010
	APPD 4/9/91 R KUZO	SCALE 5:1	SHEET 1 OF 1	
	PRODUCT SPEC	CUSTOMER DRAWING		
	APPLICATION SPEC			
	WEIGHT -			

METRIC